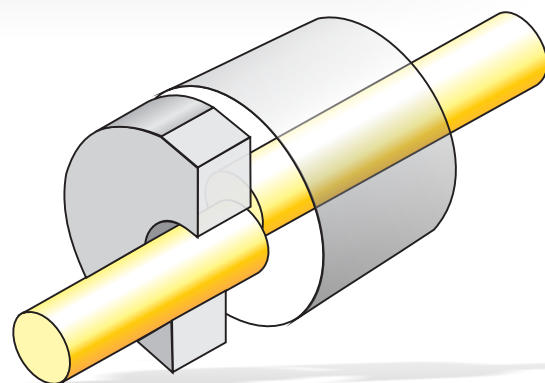
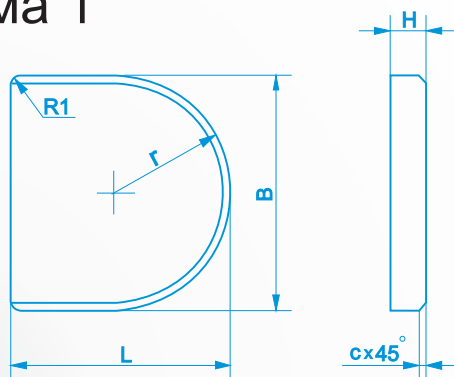


2



Пластины-заготовки
для отрезных ножей

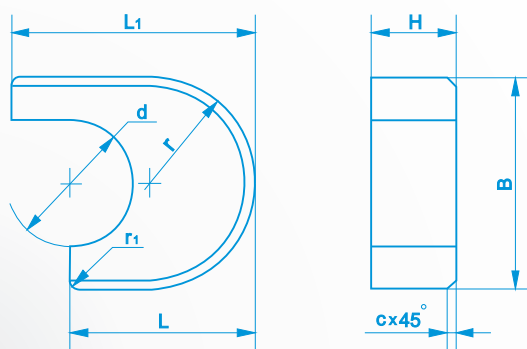
Форма 1



ГОСТ 11378 - 75

Обозначение изделия	Размеры, мм				
	L	B	H	r	c
1909-0001	10 ± 0.5	6 - 0.5	2 ± 0.35	3	0.5
1909-0002	10 ± 0.5	8 - 0.5	2 ± 0.35	4	0.5
1909-0003	20 ± 0.7	12 - 0.7	3 ± 0.35	6	1.0
1909-0004	25 ± 0.7	18 - 0.7	3 ± 0.35	9	1.0
1909-0005	25 ± 0.7	22 - 0.9	4 ± 0.35	11	1.0
1909-0006	30 ± 0.7	32 - 1.1	5 ± 0.35	16	1.0
1909-0007	35 ± 0.9	36 - 1.1	5 ± 0.35	18	1.0

Форма 2

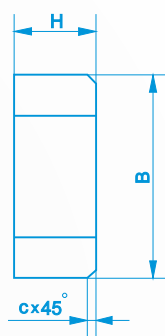
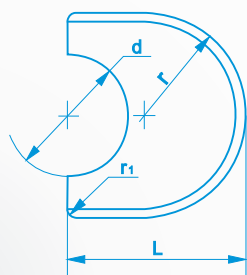


ГОСТ 11378 - 75

Обозначение изделия	Размеры, мм							
	d	L	B	H	L1	r	r1	c
1909-0011	1.0 - 0.2	10 ± 0.50	6 - 0.5	3 ± 0.35	13.0	3.0	0.5	0.5
1909-0012	1.5 - 0.2	10 ± 0.50	6 - 0.5	3 ± 0.35	13.0	3.0	0.5	0.5
1909-0013	2.0 - 0.2	10 ± 0.50	6 - 0.5	3 ± 0.35	13.0	3.0	0.5	0.5
1909-0014	2.5 - 0.3	10 ± 0.50	8 - 0.5	3 ± 0.35	15.0	4.0	0.5	0.5
1909-0015	3.0 - 0.3	10 ± 0.50	8 - 0.5	3 ± 0.35	15.0	4.0	0.5	0.5
1909-0016	3.5 - 0.3	12 ± 0.60	10 - 0.5	4 ± 0.35	17.0	5.0	0.5	0.5
1909-0017	4.0 - 0.3	12 ± 0.60	10 - 0.5	4 ± 0.35	17.0	5.0	0.5	0.5
1909-0018	4.5 - 0.3	12 ± 0.60	10 - 0.5	4 ± 0.35	17.0	5.0	0.5	0.5
1909-0019	5.0 - 0.3	12 ± 0.60	10 - 0.5	4 ± 0.35	17.0	5.0	0.5	0.5

Обозначение изделия	Размеры, мм							
	d	L	B	H	L1	r	r1	c
1909-0021	5.5 - 0.3	15 ± 0.60	12 - 0.7	5 ± 0.35	20.0	6.0	0.5	0.5
1909-0022	6.0 - 0.3	15 ± 0.60	12 - 0.7	5 ± 0.35	20.0	6.0	0.5	0.5
1909-0023	6.5 - 0.4	15 ± 0.60	12 - 0.7	5 ± 0.35	20.0	6.0	0.5	0.5
1909-0024	7.0 - 0.4	15 ± 0.60	14 - 0.7	5 ± 0.35	20.0	7.0	1.0	1.0
1909-0025	7.5 - 0.4	15 ± 0.60	14 - 0.7	5 ± 0.35	20.0	7.0	1.0	1.0
1909-0026	8.0 - 0.4	15 ± 0.60	16 - 0.7	6 ± 0.35	20.0	8.0	1.0	1.0
1909-0027	8.5 - 0.4	15 ± 0.60	16 - 0.7	6 ± 0.35	22.0	8.0	1.0	1.0
1909-0028	9.0 - 0.4	15 ± 0.60	16 - 0.7	6 ± 0.35	22.0	8.0	1.0	1.0
1909-0029	9.5 - 0.4	15 ± 0.60	16 - 0.7	6 ± 0.35	22.0	8.0	1.0	1.0
1909-0031	10.0 - 0.4	15 ± 0.60	18 - 0.7	6 ± 0.35	22.0	9.0	1.0	1.0
1909-0032	10.5 - 0.4	18 ± 0.60	18 - 0.7	7 ± 0.50	25.0	9.0	1.0	1.0
1909-0033	11.0 - 0.4	18 ± 0.60	22 - 0.9	7 ± 0.50	25.0	11.0	1.0	1.0
1909-0034	11.5 - 0.4	18 ± 0.60	22 - 0.9	7 ± 0.50	25.0	11.0	1.0	1.0
1909-0035	12.0 - 0.4	18 ± 0.60	22 - 0.9	7 ± 0.50	25.0	11.0	1.0	1.0
1909-0036	12.5 - 0.5	18 ± 0.60	22 - 0.9	7 ± 0.50	25.0	11.0	1.0	1.0
1909-0037	13.0 - 0.5	20 ± 0.70	25 - 0.9	9 ± 0.50	27.5	12.5	1.0	1.0
1909-0038	13.5 - 0.5	20 ± 0.70	25 - 0.9	9 ± 0.50	27.5	12.5	1.0	1.0
1909-0039	14.0 - 0.5	20 ± 0.70	25 - 0.9	9 ± 0.50	27.5	12.5	1.0	1.0
1909-0041	14.5 - 0.5	20 ± 0.70	25 - 0.9	9 ± 0.50	27.5	12.5	1.0	1.0
1909-0042	15.0 - 0.5	22 ± 0.70	25 - 0.9	10 ± 0.50	29.0	12.5	1.0	1.0
1909-0043	15.5 - 0.5	22 ± 0.70	25 - 0.9	10 ± 0.50	29.0	12.5	1.0	1.0
1909-0044	16.0 - 0.5	22 ± 0.70	25 - 0.9	10 ± 0.50	29.0	12.5	1.0	1.0
1909-0045	16.5 - 0.5	22 ± 0.70	25 - 0.9	10 ± 0.50	29.0	12.5	1.0	1.0
1909-0046	17.0 - 0.5	26 ± 0.70	32 - 1.1	12 ± 0.60	33.0	16.0	1.0	1.0
1909-0047	17.5 - 0.5	26 ± 0.70	32 - 1.1	12 ± 0.60	33.0	16.0	1.0	1.0
1909-0048	18.0 - 0.5	26 ± 0.70	32 - 1.1	12 ± 0.60	33.0	16.0	1.0	1.0
1909-0049	18.5 - 0.5	26 ± 0.70	32 - 1.1	12 ± 0.60	33.0	16.0	1.0	1.0
1909-0051	19.0 - 0.5	30 ± 0.70	36 - 1.1	13 ± 0.60	37.0	18.0	1.0	1.0
1909-0052	19.5 - 0.5	30 ± 0.70	36 - 1.1	13 ± 0.60	37.0	18.0	1.0	1.0
1909-0053	20.0 - 0.5	30 ± 0.70	36 - 1.1	13 ± 0.60	37.0	18.0	1.0	1.0
1909-0054	21.0 - 0.7	32 ± 0.90	40 - 1.1	14 ± 0.60	40.0	20.0	1.0	1.0
1909-0055	23.0 - 0.7	32 ± 0.90	40 - 1.1	14 ± 0.60	40.0	20.0	1.0	1.0
1909-0056	25.0 - 0.7	32 ± 0.90	40 - 1.1	14 ± 0.60	40.0	20.0	1.0	1.0

Форма 3



ГОСТ 11378 - 75

Обозначение изделия	Размеры, мм						
	d	L	B	H	r	r ₁	c
1909-0061	1.0 - 0.2	10 ± 0.50	6 - 0.5	3 ± 0.35	3.0	0.5	0.5
1909-0062	1.5 - 0.2	10 ± 0.50	6 - 0.5	3 ± 0.35	3.0	0.5	0.5
1909-0063	2.0 - 0.2	10 ± 0.50	6 - 0.5	3 ± 0.35	3.0	0.5	0.5
1909-0064	2.5 - 0.3	10 ± 0.50	8 - 0.5	3 ± 0.35	4.0	0.5	0.5
1909-0065	3.0 - 0.3	10 ± 0.50	8 - 0.5	3 ± 0.35	4.0	0.5	0.5
1909-0066	3.5 - 0.3	12 ± 0.60	10 - 0.5	4 ± 0.35	5.0	0.5	0.5
1909-0067	4.0 - 0.3	12 ± 0.60	10 - 0.5	4 ± 0.35	5.0	0.5	0.5
1909-0068	4.5 - 0.3	12 ± 0.60	10 - 0.5	4 ± 0.35	5.0	0.5	0.5
1909-0069	5.0 - 0.3	12 ± 0.60	10 - 0.5	4 ± 0.35	5.0	0.5	0.5
1909-0071	5.5 - 0.3	15 ± 0.60	12 - 0.7	5 ± 0.35	6.0	0.5	0.5
1909-0072	6.0 - 0.3	15 ± 0.60	12 - 0.7	5 ± 0.35	6.0	0.5	0.5
1909-0073	6.5 - 0.4	15 ± 0.60	14 - 0.7	5 ± 0.35	7.0	0.5	0.5
1909-0074	7.0 - 0.4	15 ± 0.60	14 - 0.7	5 ± 0.35	7.0	1.0	1.0
1909-0075	7.5 - 0.4	15 ± 0.60	14 - 0.7	5 ± 0.35	7.0	1.0	1.0
1909-0076	8.0 - 0.4	15 ± 0.60	16 - 0.7	6 ± 0.35	8.0	1.0	1.0
1909-0077	8.5 - 0.4	15 ± 0.60	16 - 0.7	6 ± 0.35	8.0	1.0	1.0
1909-0078	9.0 - 0.4	15 ± 0.60	16 - 0.7	6 ± 0.35	8.0	1.0	1.0
1909-0079	9.5 - 0.4	15 ± 0.60	18 - 0.7	6 ± 0.35	9.0	1.0	1.0
1909-0081	10.0 - 0.4	15 ± 0.60	18 - 0.7	6 ± 0.35	9.0	1.0	1.0
1909-0082	10.5 - 0.4	18 ± 0.60	22 - 0.7	6 ± 0.35	11.0	1.0	1.0
1909-0083	11.0 - 0.4	18 ± 0.60	22 - 0.9	7 ± 0.50	11.0	1.0	1.0
1909-0084	11.5 - 0.4	18 ± 0.60	22 - 0.9	7 ± 0.50	11.0	1.0	1.0
1909-0085	12.0 - 0.4	18 ± 0.60	22 - 0.9	7 ± 0.50	11.0	1.0	1.0
1909-0086	12.5 - 0.5	20 ± 0.70	25 - 0.9	9 ± 0.50	12.5	1.0	1.0
1909-0087	13.0 - 0.5	20 ± 0.70	25 - 0.9	9 ± 0.50	12.5	1.0	1.0
1909-0088	13.5 - 0.5	20 ± 0.70	25 - 0.9	9 ± 0.50	12.5	1.0	1.0
1909-0089	14.0 - 0.5	20 ± 0.70	25 - 0.9	9 ± 0.50	12.5	1.0	1.0
1909-0091	14.5 - 0.5	22 ± 0.70	25 - 0.9	10 ± 0.50	12.5	1.0	1.0
1909-0092	15.0 - 0.5	22 ± 0.70	25 - 0.9	10 ± 0.50	12.5	1.0	1.0
1909-0093	15.5 - 0.5	22 ± 0.70	25 - 0.9	10 ± 0.50	12.5	1.0	1.0
1909-0094	16.0 - 0.5	22 ± 0.70	25 - 0.9	10 ± 0.50	12.5	1.0	1.0
1909-0095	16.5 - 0.5	26 ± 0.70	32 - 0.9	12 ± 0.60	16.0	1.0	1.0
1909-0096	17.0 - 0.5	26 ± 0.70	32 - 1.1	12 ± 0.60	16.0	1.0	1.0
1909-0097	17.5 - 0.5	26 ± 0.70	32 - 1.1	12 ± 0.60	16.0	1.0	1.0
1909-0098	18.0 - 0.5	26 ± 0.70	32 - 1.1	12 ± 0.60	16.0	1.0	1.0
1909-0099	18.5 - 0.5	30 ± 0.70	36 - 1.1	13 ± 0.60	18.0	1.0	1.0
1909-0101	19.0 - 0.5	30 ± 0.70	36 - 1.1	13 ± 0.60	18.0	1.0	1.0
1909-0102	20.0 - 0.5	30 ± 0.70	36 - 1.1	13 ± 0.60	18.0	1.0	1.0
1909-0103	21.0 - 0.7	32 ± 0.90	40 - 1.1	14 ± 0.60	20.0	1.0	1.0
1909-0104	23.0 - 0.7	32 ± 0.90	40 - 1.1	14 ± 0.60	20.0	1.0	1.0
1909-0105	25.0 - 0.7	32 ± 0.90	40 - 1.1	14 ± 0.60	20.0	1.0	1.0